



DNH

HEAD OFFICE, NORWAY

DNH AS

Phone..... + 47 35 98 56 00

Fax..... + 47 35 98 56 10

E-mail..... dnh@dnh.no

Web-Site..... www.dnh.no

ENGLAND

DNH WW Ltd

Phone..... + 44 1908 275 000

Fax..... + 44 1908 275 100

E-mail..... dnh@dnh.co.uk

GERMANY

DNH GmbH

Phone... + 49 040 6569 30-0

Fax..... + 49 040 6569 30-30

E-mail..... dnh@dnh.de

DUP-40(T)

USA

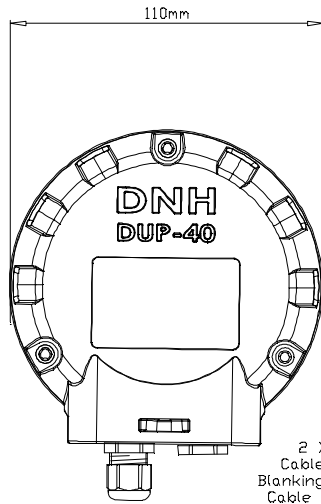
DNH Speakers Inc

Phone..... + 1 484 494 5790

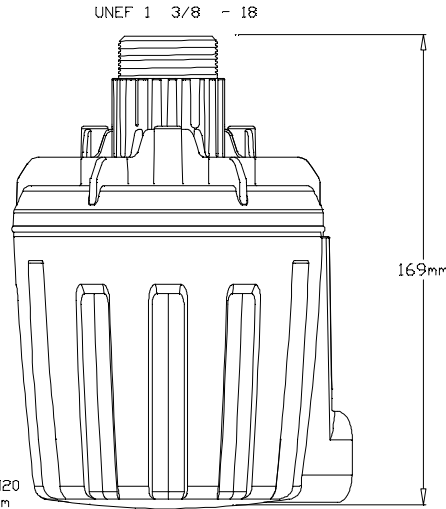
Fax..... + 1 484 494 5793

E-mail..... dnh@dnhspeakers.com

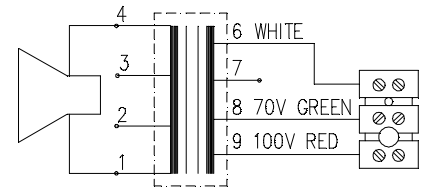
ISO 9001 CERTIFIED



2 X M20
Cable gland,
Blanking plug M20
Cable \varnothing 8-13mm



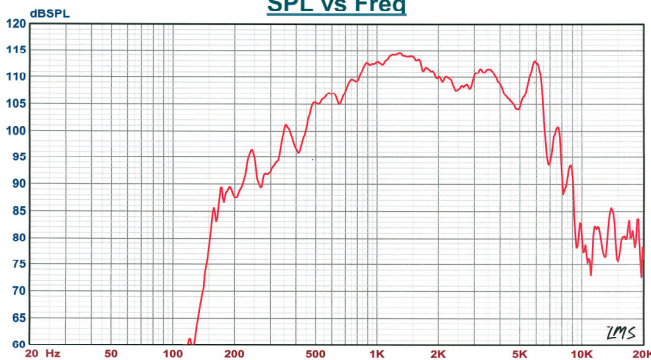
CIRCUIT
DIAGRAM



Secondary nominal tapings	
1 : 4	40 W
1 : 3	23 W
2 : 4	15 W
1 : 2	12 W
3 : 4	6,0 W
2 : 3	3,0 W

Sound pressure levels at 1W/1m in Tunnel-500

SPL vs Freq



Specifications

Material / Color	PA /Black
Mounting	Threaded UNEF - 1 3/8 18
Termination	Inside ceramic screw terminal
Weight w/transformer	1,2 kg
IP-rating	67
Max. / min. amb. temp	50°C / -50°C
Rated / max. power	40 W / 60 W
SPL 1W/1m	114 dB
SPL rated power	129 dB
Effective freq. range	350 – 8000 Hz
Dispersion (-6dB) 1kHz / 4kHz	40° / 35°
Options	Impedances, colors, labels

Installation, Operation and Maintenance Procedures

- Driver unit uses UNEF 1 3/8 -18 thread.
- When using DUP-40 driver use enclosed gasket.
- Open the lid back 3 screws. Lead cable through cable gland, choose required tapping and connect to terminal.
- Screw lid back into place, 3 screws with a torque of 2 - 3 Nm to assure the IP rating.
- Do not open loudspeaker when energized.
- For optimum performance, always use the correct voltage / power and operate within the frequency limits as stated.
- This unit is supplied with a 2 year warranty against defective materials and workmanship.

DNH reserves the right to alter specifications without notice

