



DNH

HEAD OFFICE, NORWAY
DNH AS

Phone..... + 47 35 98 56 00
Fax..... + 47 35 98 56 10
E-mail..... dnh@dnh.no
Web-Site..... www.dnh.no

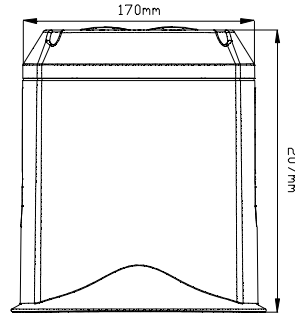
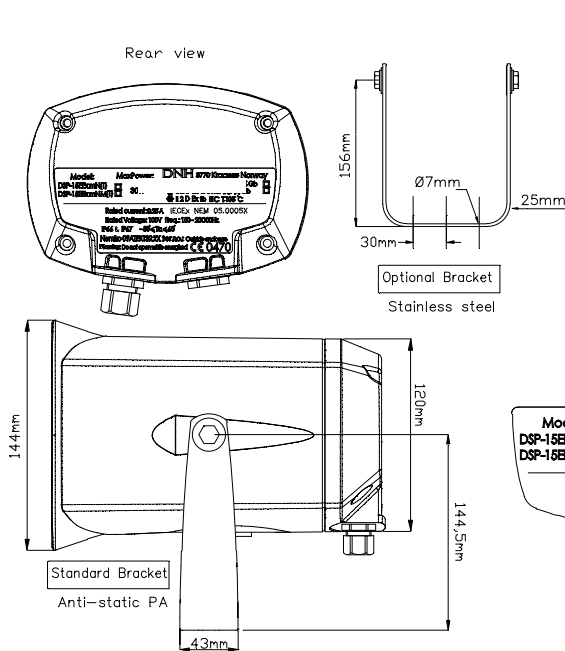
ENGLAND
DNH WW Ltd
Phone..... + 44 1908 275 000
Fax..... + 44 1908 275 100
E-mail..... dnh@dnh.co.uk

GERMANY
DNH GmbH
Phone... + 49 040 6569 30-0
Fax..... + 49 040 6569 30-30
E-mail..... dnh@dnh.de

USA
DNH Speakers Inc
Phone..... + 1 484 494 5790
Fax..... + 1 484 494 5793
E-mail..... dnh@dnhspeakers.com

DSP-15EExmN(T)

ISO 9001 CERTIFIED

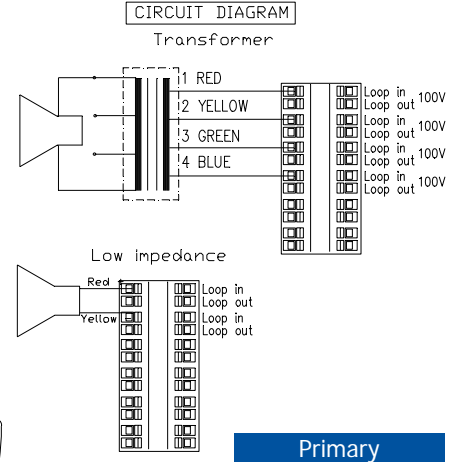


All outside nuts and screws in stainless steel

Model: MaxPower: **DNH 3770** Kragerø Norway
 DSP-15EExmN(T) 30W
 DSP-15EExmN(T) 12 G Ex d emb IIB H, T4 Gb
 12 G Ex d emb IIC T4 Gb
 12 D Ex tb IIC T105 C

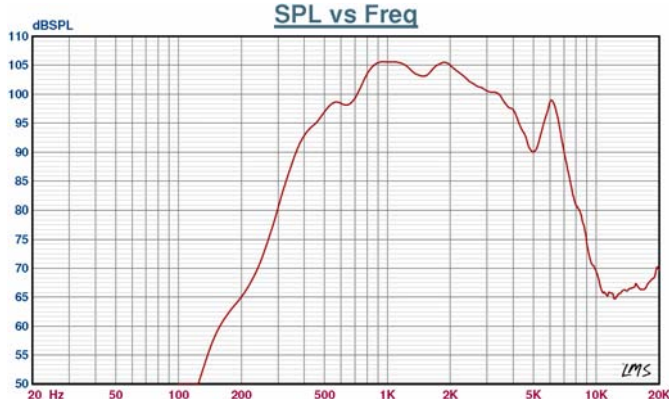
Rated current: 0.25 A IECEx NEM 05.0005X
 Rated Voltage: 100V Freq: 180 - 20000Hz
 IP66 & IP67 -50°C t_a $+60^{\circ}\text{C}$
 Nemko ORATEK1322X Ser.no.: Outside enclosure
 Warnings: Do not open while energized **CE 0470**

Standard model delivered with two M20 Ex approved plastic blinding plugs



Primary nominal tapings	
1 : 2	25,0 W
2 : 3	15,0 W
3 : 4	6,5 W
1 : 3	5,0 W
2 : 4	2,5 W
1 : 4	1,5 W

Sound pressure levels at 1W/1m



Specifications	IIB	IIC
Material / Color	Anti-static PA / Black	
Mounting	Bracket	
Termination	e-chamber, push terminals	
Weight w/transformer	2,2 kg	
IP-rating	66 / 67	
Max. / min. amb. temp	60°C / -50°C	
Rated / max. power	25 W / 30 W	
SPL 1W/1m	106 dB	104 dB
SPL rated power	118 dB	115 dB
Effective freq. range	380 - 8000 Hz	450-7000
Dispersion (-6dB) 1kHz / 4kHz	120° / 37°	105° / 35°
Directivity factor, Q 1kHz/4kHz	4,5 / 9,6	
Options	Impedances, labels, transformers	

Installation, Operation and Maintenance Procedures

- Remove lid by four screws, lead cable through the cable gland and connect to terminal with required tapping.
- Check that the gasket is fitted correctly on to the lid. Do not use any lubricants on the gasket.
- Every time the back lid is removed for inspection, check that the gasket is fitted correctly to the lid before you refit the back lid. Do not use any lubricants on the gasket.
- Screw lid back into place by four screws with a torque of 1,8Nm to assure the IP rating.
- To change the position of the loudspeaker, please adjust the standard U- bracket (by loosening / tightening the screws) as required.
- Use only certified/specified cable glands and blinding plugs reflecting the same IP rating and temperature range as the loudspeaker.
- Standard model delivered with two M20 Ex approved plastic blinding plugs.
- DSP-15EExmN(T) can be supplied with three different bracket systems, according to customer requirements.
- For optimum performance, always use the correct voltage / power and operate within the frequency limits as stated.
- Do not open loudspeaker when energized.
- This loudspeaker is supplied with a two years warranty against defective workmanship.

DNH reserves the right to alter specifications without notice

