



# DNH

HEAD OFFICE, NORWAY  
DNH AS

Phone..... + 47 35 98 56 00  
Fax..... + 47 35 98 56 10  
E-mail..... dnh@dnh.no  
Web-Site..... www.dnh.no

ENGLAND

DNH WW Ltd

Phone..... + 44 1908 275 000  
Fax..... + 44 1908 275 100  
E-mail..... dnh@dnh.co.uk

GERMANY

DNH GmbH

Phone... + 49 040 6569 30-0  
Fax..... + 49 040 6569 30-30  
E-mail..... dnh@dnh.de

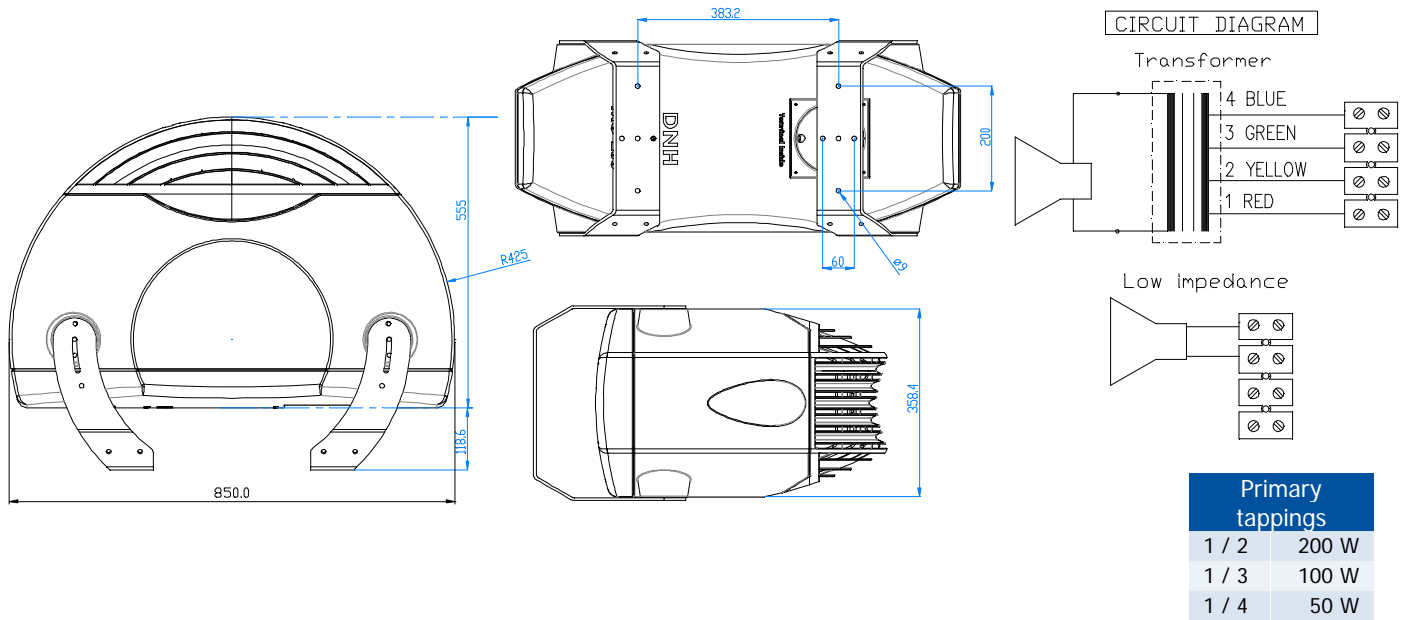
## MC-200(T)

USA

DNH Speakers Inc

Phone..... + 1 484 494 5790  
Fax..... + 1 484 494 5793  
E-mail..... dnh@dnhspeakers.com

ISO 9001 CERTIFIED



Sound pressure levels at 1W/1m  
**SPL vs Freq**



Specifications

Material / Color	Polyethylene/ RAL 7035
Mounting	Bracket
Termination	Screw terminal in termination chamber
Weight w/transformer	17 Kg
IP-rating	54
Max. / min. amb. temp	90°C / -40°C
Rated / max. power	200 W / 300 W
SPL 1W/1m	100 dB
SPL rated power	123 dB
Effective freq. range	60 – 20000 Hz
Dispersion (-6dB) 1kHz / 4kHz	127° / 69°
Directivity factor, Q 1kHz	2,8
Options	Impedances, colors, labels

### Installation, Operation and Maintenance Procedures

- Unscrew lid, lead cable through cable gland and connect to terminal.
- Tighten cable gland and fasten termination chamber lid with a torque of 1-1,2 Nm to assure IP grade.
- Fasten the bracket to wall or ceiling.
- To change the position of the loudspeaker, please adjust the bracket (by loosening / tightening the screws) as required.
- For optimum performance, always use the correct voltage / power and operate within the frequency limits as stated.
- Do not open loudspeaker when energized.
- This loudspeaker is supplied with a 2 year warranty against defective workmanship.

DNH reserves the right to alter specifications without notice

