



# DNH

HEAD OFFICE, NORWAY  
DNH AS

Phone..... + 47 35 98 56 00  
Fax..... + 47 35 98 56 10  
E-mail..... dnh@dnh.no  
Web-Site..... www.dnh.no

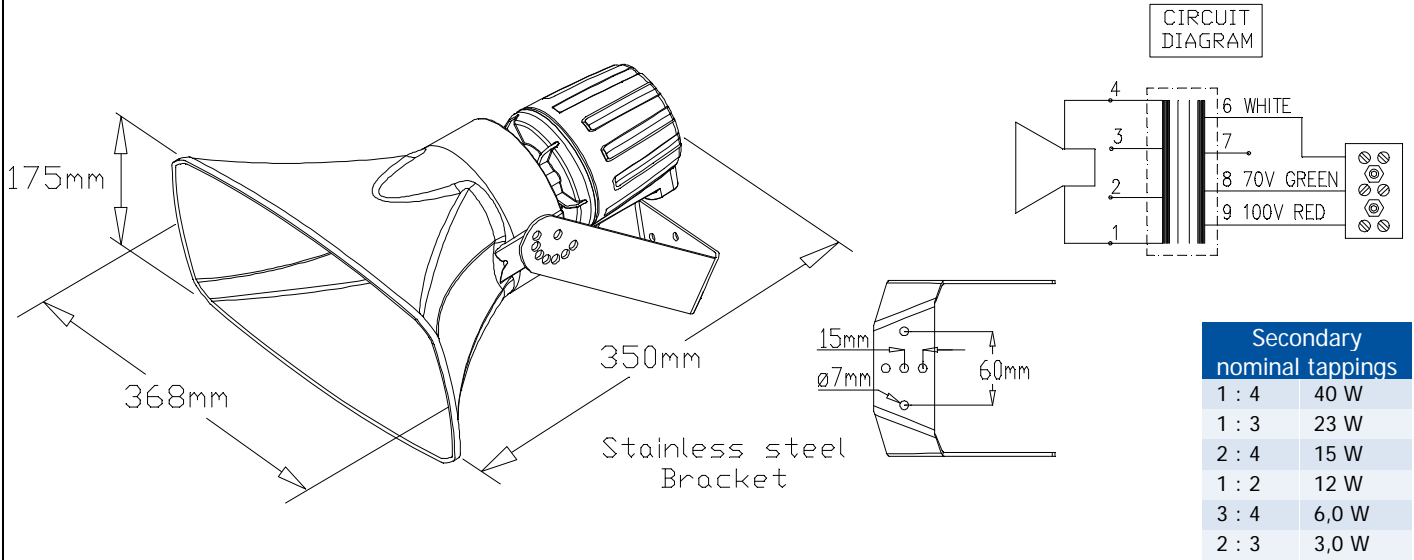
ENGLAND  
DNH WW Ltd  
Phone..... + 44 1908 275 000  
Fax..... + 44 1908 275 100  
E-mail..... dnh@dnh.co.uk

GERMANY  
DNH GmbH  
Phone... + 49 040 6569 30-0  
Fax..... + 49 040 6569 30-30  
E-mail..... dnh@dnh.de

USA  
DNH Speakers Inc  
Phone..... + 1 484 494 5790  
Fax..... + 1 484 494 5793  
E-mail..... dnh@dnhspeakers.com

## DHP/DUP-40(T)

ISO 9001 CERTIFIED



Sound pressure levels at 1W/1m

SPL vs Freq



Specifications

Material / Color	Anti-static PA /PAGF / Black
Mounting	Threaded UNEF - 18, Bracket
Termination	Inside ceramic terminal
Weight w/transformer	2,7 kg
IP-rating with DUP-40	67
Max. / min. amb. temp	120°C / -50°C
Rated / max. power	40 W / 60 W
SPL 1W/1m	110 dB
SPL rated power	126 dB
Effective freq. range	300 – 7000 Hz
Dispersion (-6dB) 1kHz / 4kHz	62° /40°
Options	Impedances, colors, labels

### Installation, Operation and Maintenance Procedures

- Screw driver unit into the horn with 2 ring gaskets provided until the driver is in contact with the gaskets, then continue screwing the driver for 180° to 270°. UNEF 1 3/8 -18 thread.
- Remove lid. Lead cable through cable gland, connect wires to the terminal, and turn lid back on with gasket. Fasten lid with a torque of 2 Nm.
- Fasten the bracket to wall with minimum 2 screws.
- To change the position of the loudspeaker, please adjust the bracket by loosening / tightening the screws as required.
- For optimum performance, always use the correct voltage / power and operate within the frequency limits as stated.
- Do not open loudspeaker when energized.
- This loudspeaker is supplied with a 2 year warranty against defective workmanship.

DNH reserves the right to alter specifications without notice

