



DNH

A-45

HEAD OFFICE, NORWAY
DNH AS

Phone..... + 47 35 98 56 00
Fax..... + 47 35 98 56 10
E-mail..... dnh@dnh.no
Web-Site..... www.dnh.no

ENGLAND
DNH WW Ltd

Phone..... + 44 1908 275 000
Fax..... + 44 1908 275 100
E-mail..... dnh@dnh.co.uk

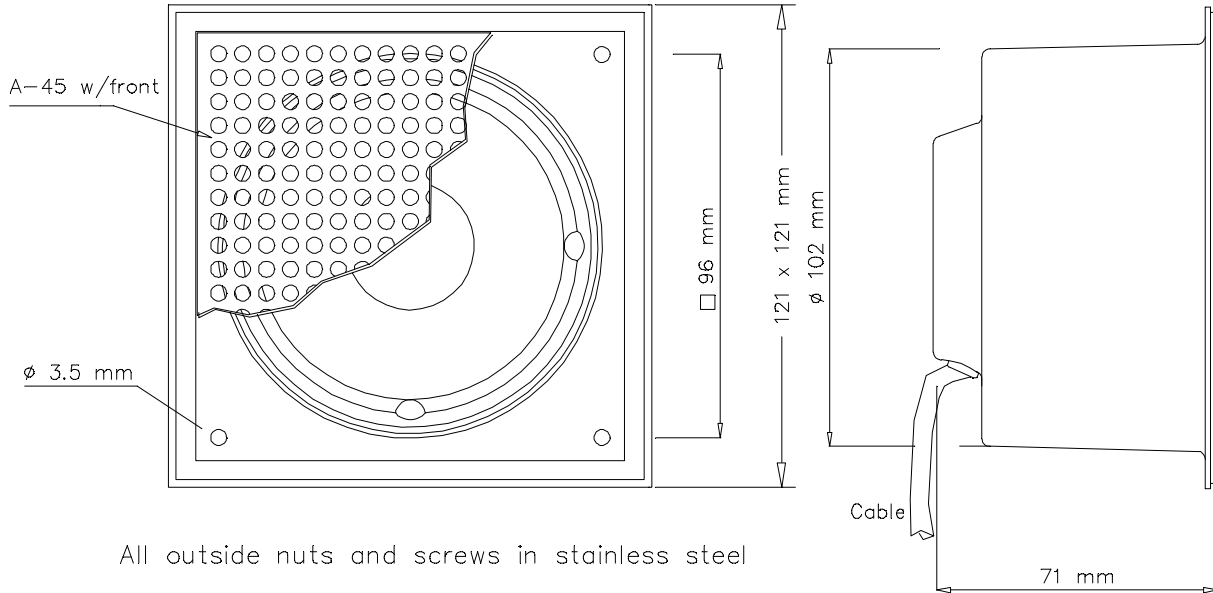
GERMANY
DNH GmbH

Phone... + 49 040 6569 30-0
Fax..... + 49 040 6569 30-30
E-mail..... dnh@dnh.de

USA
DNH Speakers Inc

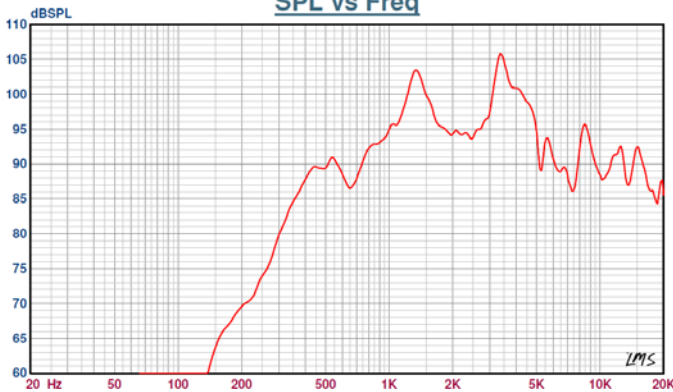
Phone..... + 1 484 494 5790
Fax..... + 1 484 494 5793
E-mail..... dnh@dnhspeakers.com

ISO 9001 CERTIFIED



All outside nuts and screws in stainless steel

Sound pressure levels at 1W/1m Sine wave MP-2,5
SPL vs Freq



Specifications

Material / Color	PA6 and aluminum / RAL 7035
Mounting	4 screws
Termination	Cable, 0.5 m
Weight w/transformer	0,39 kg
IP-rating	67
Max. / min. amb. temp	140°C / -40°C
Rated / max. power	6 W / 10 W
SPL 1W/1m	101 dB
SPL rated power	107 dB
Effective freq. range	300 – 20000 Hz
Dispersion (-6dB) 1kHz / 4kHz	NA
Directivity factor, Q	NA
Options	Impedance, colors, labels

Installation, Operation and Maintenance Procedures

- Fasten loudspeaker to wall or ceiling with 4 screws, cut out hole according to drawing.
- A-45 is delivered with a cable and the cable should be terminated in a suitable junction box.
- A-45 can be delivered with front grill on request.
- A-45 is designed for flush mounting.
- For optimum performance, always use the correct voltage / power and operate within the frequency limits as stated.
- This loudspeaker is supplied with a 2 year warranty against defective workmanship.

DNH reserves the right to alter specifications without notice

