



DNH

HEAD OFFICE, NORWAY
DNH AS

Phone..... + 47 35 98 56 00
Fax..... + 47 35 98 56 10
E-mail..... dnh@dnh.no
Web-Site..... www.dnh.no

ENGLAND
DNH WW Ltd

Phone..... + 44 1908 275 000
Fax..... + 44 1908 275 100
E-mail..... dnh@dnh.co.uk

GERMANY
DNH GmbH

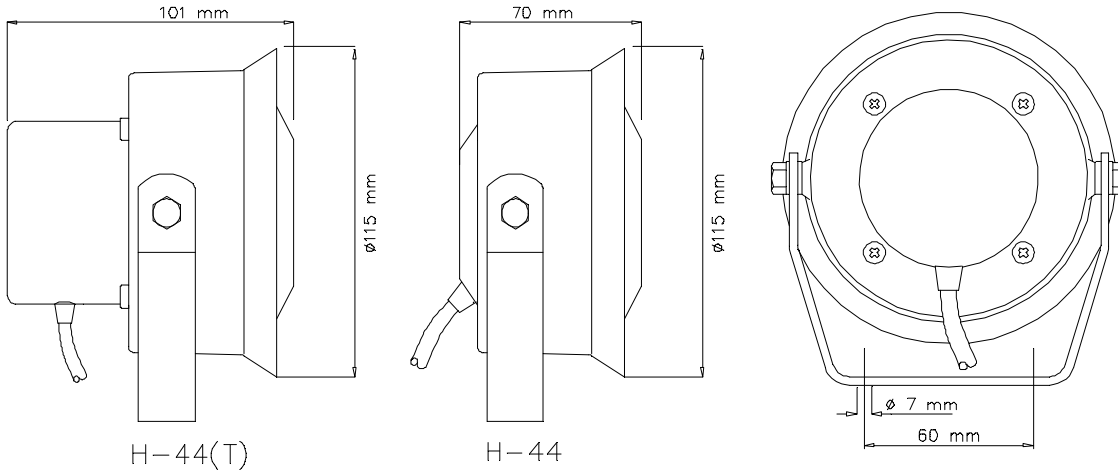
Phone... + 49 040 6569 30-0
Fax..... + 49 040 6569 30-30
E-mail..... dnh@dnh.de

USA
DNH Speakers Inc

Phone..... + 1 484 494 5790
Fax..... + 1 484 494 5793
E-mail..... dnh@dnhspeakers.com

ISO 9001 CERTIFIED

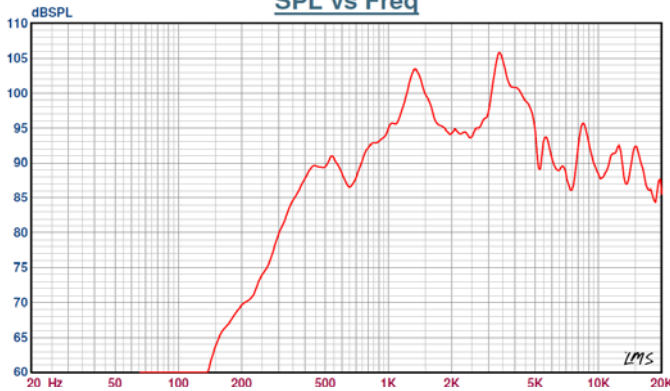
H-44(T)



100V transformer Primary nominal tappings		
Red	Yellow	6,0 W
Yellow	Green	3,0 W
Green	Blue	1,5 W
Red	Green	1,0 W
Yellow	Blue	0,6 W
Red	Blue	0,4 W

Sound pressure levels at 1W/1m sine wave MP-2,5

SPL vs Freq



Specifications

Material / Color	PA6 and aluminum / RAL 7035
Mounting	Bracket
Termination	Cable 0,5 m
Weight without transf.	0,44 kg
IP-rating	67
Max. / min. amb. temp	150°C / -50°C
Rated / max. power	6 W / 10 W
SPL 1W/1m	101 dB
SPL rated power	107 dB
Effective freq. range	300 – 20000 Hz
Dispersion (-6dB) 1kHz / 4kHz	
Directivity factor, Q(2kHz)	
Options	Impedance, colors, labels

Installation, Operation and Maintenance Procedures

- Fasten bracket with 2 screws.
- To change the position of the loudspeaker, please adjust the bracket (by loosening / tightening the screws) as required.
- For optimum performance, always use the correct voltage / power and operate within the frequency limits as stated.
- The cable should be terminated in a suitable junction box.
- This loudspeaker is supplied with a 2 year warranty against defective materials and workmanship.

DNH reserves the right to alter specifications without notice

