



# DNH

HEAD OFFICE, NORWAY  
DNH AS

Phone..... + 47 35 98 56 00  
Fax..... + 47 35 98 56 10  
E-mail..... dnh@dnh.no  
Web-Site..... www.dnh.no

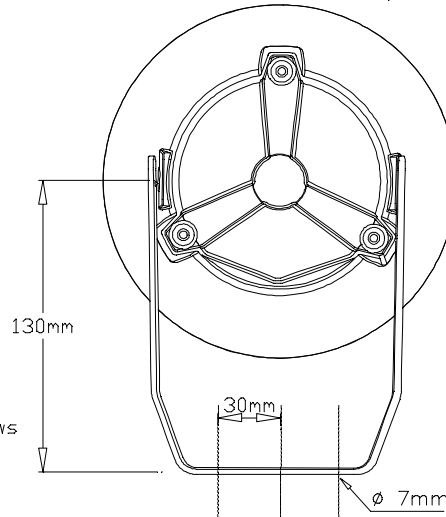
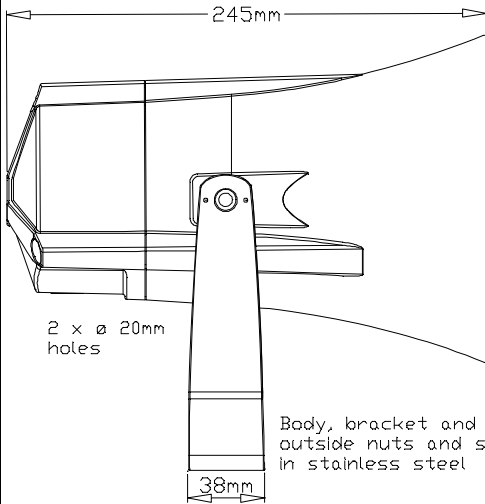
ENGLAND  
DNH WW Ltd  
Phone..... + 44 1908 275 000  
Fax..... + 44 1908 275 100  
E-mail..... dnh@dnh.co.uk

GERMANY  
DNH GmbH  
Phone... + 49 040 6569 30-0  
Fax..... + 49 040 6569 30-30  
E-mail..... dnh@dnh.de

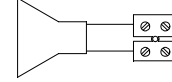
USA  
DNH Speakers Inc  
Phone..... + 1 484 494 5790  
Fax..... + 1 484 494 5793  
E-mail..... dnh@dnhspeakers.com

## HSS-15(T)

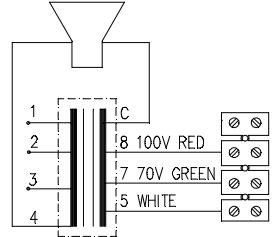
ISO 9001 CERTIFIED



CIRCUIT DIAGRAM  
Ohm



CIRCUIT DIAGRAM  
TRANSFORMER



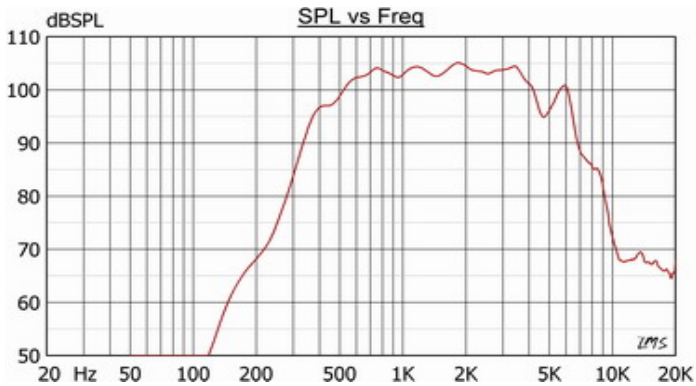
70/100 volt combined transformer  
Primary connections

White : Green	70 V
White : Red	100 V

Secondary nominal tapings

C : 1	15,0 W
C : 2	7,5 W
C : 3	4,0 W
C : 4	2,0 W

Sound pressure levels at 1W/1m



Specifications

Material / Color	Stainless steel 316
Mounting	U Bracket
Termination	Inside screw terminals
Weight w/transformer	6,5 kg
IP-rating	67
Max. / min. amb. temp	180°C / -55°C
Rated / max. power	15 W / 20 W
SPL 1W/1m	107 dB
SPL rated power	118 dB
Effective freq. range	350 – 7500 Hz
Dispersion (-6dB) 1kHz / 4kHz	150° / 40°
Options	Impedances, colors, labels

### Installation, Operation and Maintenance Procedures

- Fasten the bracket to wall/ceiling with 3 screws.
- Remove lid by 3 screws. Lead cable through cable gland (not provided) and connect to terminal 70V or 100V.
- Select power in the transformer as required.
- Screw lid back into place, 3 screws with a torque of 2 - 3 Nm to assure the IP rating.
- To change the position of the loudspeaker, please adjust the bracket (by loosening / tightening the screws) as required.
- For optimum performance, always use the correct voltage / power and operate within the frequency limits as stated.
- Do not open loudspeaker when energized.
- This loudspeaker is supplied with a 2 year warranty against defective workmanship.

DNH reserves the right to alter specifications without notice

