



DNH

HEAD OFFICE, NORWAY
DNH AS

Phone..... + 47 35 98 56 00
Fax..... + 47 35 98 56 10
E-mail..... dnh@dnh.no
Web-Site..... www.dnh.no

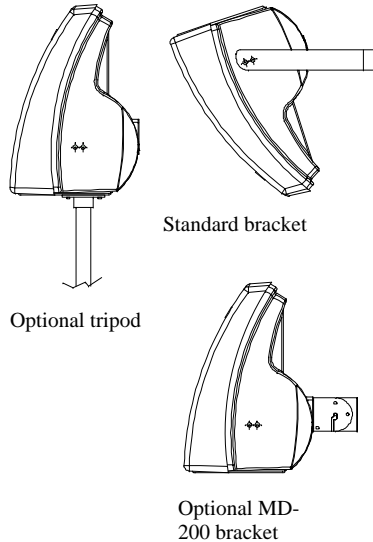
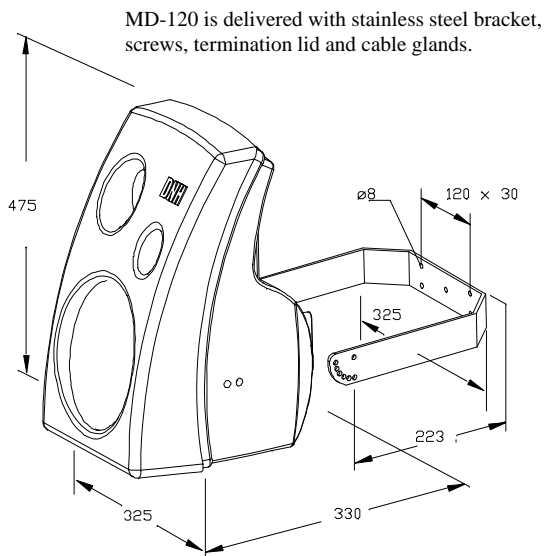
ENGLAND
DNH WW Ltd
Phone..... + 44 1908 275 000
Fax..... + 44 1908 275 100
E-mail..... dnh@dnh.co.uk

GERMANY
DNH GmbH
Phone... + 49 040 6569 30-0
Fax..... + 49 040 6569 30-30
E-mail..... dnh@dnh.de

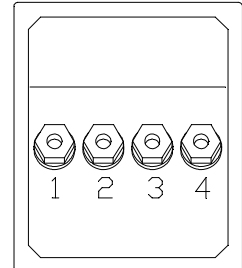
MD-120(T)

USA
DNH Speakers Inc
Phone..... + 1 484 494 5790
Fax..... + 1 484 494 5793
E-mail..... dnh@dnhspeakers.com

ISO 9001 CERTIFIED



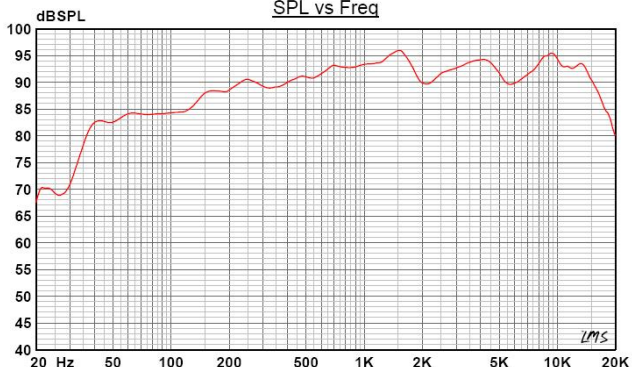
MD-120 is available with transformer on request:



Primary tapings	
1 / 2	120 W
1 / 3	60 W
1 / 4	30 W

Sound pressure levels at 1W/1m

SPL vs Freq



Specifications

Material / Color	PE / Black
Mounting	Bracket
Termination	Screw terminal
Weight w/transformer	6,0 kg
IP-rating	44*
Max. / min. amb. temp	90°C / -40°C
Rated / max. power	120 W / 150 W
SPL 1W/1m	91 dB
SPL rated power	112 dB
Effective freq. range	35 – 20000 Hz
Dispersion (-6dB) 1kHz / 4kHz	NA
Options	Impedances, colors, labels

Installation, Operation and Maintenance Procedures

- MD-120 is available with 120W transformer and optional brackets on request.
 - Fasten bracket to wall or ceiling with 2-4 screws and fasten MD-120 using 4 screws to wanted position.
 - Unscrew lid (4 screws), lead cable through cable gland and connect to terminal.
 - Screw on lid with enclosed gasket and tighten cable glands to assure a good sealing towards cable.
 - For optimum performance, always use the correct voltage / power and operate within the frequency limits as stated.
 - Do not open loudspeaker when energized.
 - This loudspeaker is supplied with a 2 year warranty against defective workmanship.
- * To achieve IP 44 the loudspeaker should be mounted with the grill at least 30 degrees downwards.

DNH reserves the right to alter specifications without notice

