



DNH

HEAD OFFICE, NORWAY
DNH AS

Phone..... + 47 35 98 56 00
Fax..... + 47 35 98 56 10
E-mail..... dnh@dnh.no
Web-Site..... www.dnh.no

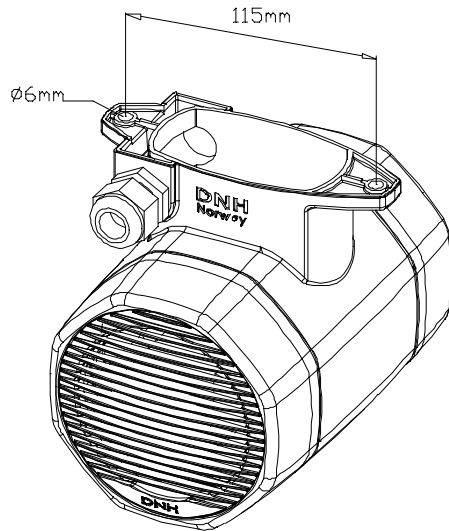
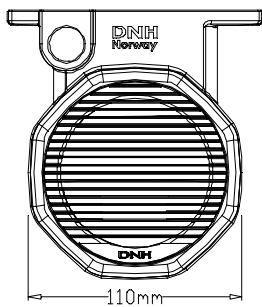
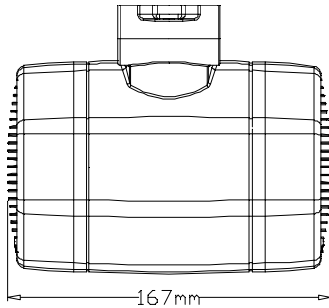
ENGLAND
DNH WW Ltd
Phone..... + 44 1908 275 000
Fax..... + 44 1908 275 100
E-mail..... dnh@dnh.co.uk

GERMANY
DNH GmbH
Phone... + 49 040 6569 30-0
Fax..... + 49 040 6569 30-30
E-mail..... dnh@dnh.de

BIVEP-6(T)

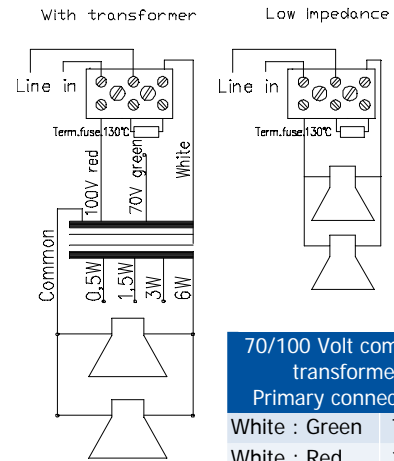
USA
DNH Speakers Inc
Phone..... + 1 484 494 5790
Fax..... + 1 484 494 5793
E-mail..... dnh@dnhspeakers.com

ISO 9001 CERTIFIED



1xM20 blinding plug
1xM20 gland

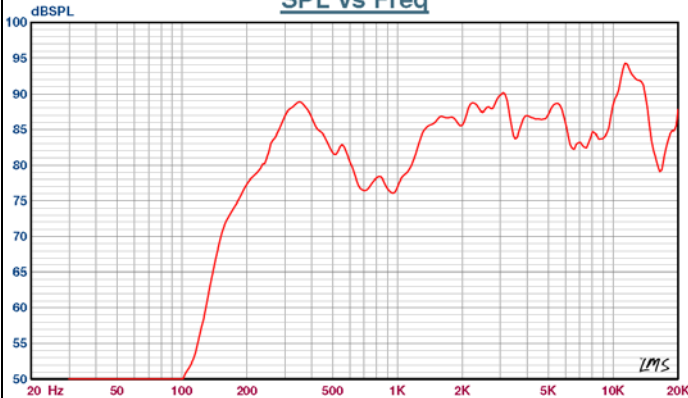
Circuit diagram



70/100 Volt combined transformer Primary connections	
White : Green	70 V
White : Red	100 V
Secondary nominal tapings	
C : 6	6,0 W
C : 3	3,0 W
C : 1,5	1,5 W
C : 0,5	0,5 W

Sound pressure levels at 1W/1m w/P-3/10T

SPL vs Freq



Specifications

Material / Color	ABS / RAL 7035
Mounting	Foot bracket
Termination	Ceramic screw terminals
Weight w/transformer	0,94 kg
IP-rating	44
Max. / min. amb. temp	90°C / -40°C
Rated / max. power	6 W / 10 W
SPL 1W/1m	87 dB
SPL rated power	94 dB
Effective freq. range	155 – 20000 Hz
Dispersion (-6dB) 1kHz / 4kHz	
Directivity factor, Q	
Options	Impedances, colors, labels

Installation, Operation and Maintenance Procedures

- Fasten the loudspeaker to the wall by 2 screws.
- To open the loudspeaker, turn the front gently counter clockwise and pull.
- Lead cable through cable gland, connect to fused ceramic terminal and select required tapping in to the transformer.
- If 70V, replace red cable with the green cable in the terminal.
- Close the loudspeaker turning the front gently clockwise till it stops.
- For optimum performance, always use the correct voltage / power and operate within the frequency limits as stated.
- Do not open loudspeaker when energized.
- This loudspeaker is supplied with a 2 year warranty against defective workmanship.

DNH reserves the right to alter specifications without notice

