



DNH

HEAD OFFICE, NORWAY
DNH AS

Phone..... + 47 35 98 56 00
Fax..... + 47 35 98 56 10
E-mail..... dnh@dnh.no
Web-Site..... www.dnh.no

ENGLAND

DNH WW Ltd
Phone..... + 44 1908 275 000
Fax..... + 44 1908 275 100
E-mail..... dnh@dnh.co.uk

GERMANY

DNH GmbH
Phone... + 49 040 6569 30-0
Fax..... + 49 040 6569 30-30
E-mail..... dnh@dnh.de

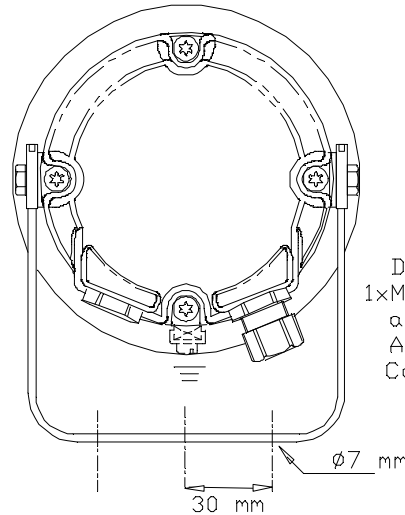
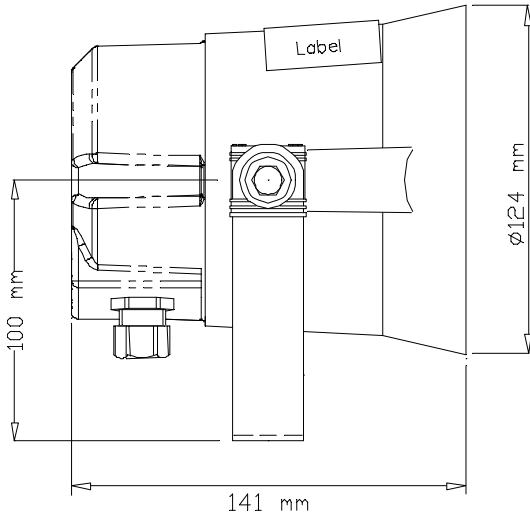
USA

DNH Speakers Inc
Phone..... + 1 484 494 5790
Fax..... + 1 484 494 5793
E-mail..... dnh@dnhspeakers.com

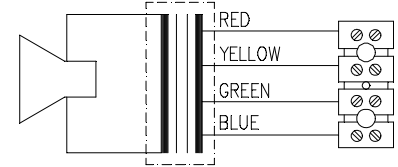
HS-8EExmNT

ISO 9001 CERTIFIED

Bracket and all outside nuts and screws in stainless steel



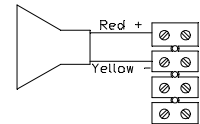
CIRCUIT DIAGRAM



Delivered with 1xM20 cable gland and blind plug
ATEX approved.
Cable diameter 8 - 13 mm

100V line Primary nominal tapings	
Red : Yellow	8,0 W
Red : Green	4,0 W
Red : Blue	2,0 W

Low impedance



Certification: NEMKO 10ATEX1051

II 2G Ex d e mb IIC T6 Gb -50°C ≤ Ta +50°C

II 2G Ex d e mb IIB+H2 T6 Gb -50°C ≤ Ta +50°C

Sound pressure levels at 1W/1m

SPL vs Freq



Specifications

IIB

IIC

Material / Color	Aluminum alloy SS4263 / RAL7035	
Mounting	Bracket	
Termination	e-chamber, screw terminals	
Weight w/transformer	2,0 kg	
IP-rating	66 / 67	
Max. / min. amb. temp	50°C / -50°C	
Rated / max. power	8 W / 8 W	
SPL 1W/1m	100 dB	94 dB
SPL rated power	108 dB	102 dB
Effective freq. range	550 - 7000 Hz	650-7000
Dispersion (-6dB) 1kHz / 4kHz	171° / 47°	105° / 35°
Directivity factor, Q 1kHz	2,1	
Options	Impedances, colors, labels	

Installation, Operation and Maintenance Procedures

- Unscrew lid, lead cable through cable gland and connect to terminal.
- If the Ex-loudspeaker is to be earthed, it must be done correctly using the specially marked screws.
- Tighten cable gland and screw lid back on with 2-3 Nm to assure IP grade.
- Fasten the bracket with 3 screws and ensure to use all washers in the intended position. (To isolate the main body from the bracket).
- To change the position of the loudspeaker, please adjust the bracket (by loosening / tightening the screws) as required.
- Use only certified/specified cable glands and blanking plugs.
- The aluminum surface of the loudspeaker should be regularly treated with paint at the same interval as with other similar outdoor equipment.
- For optimum performance, always use the correct voltage / power and operate within the frequency limits as stated.
- Do not open loudspeaker when energized.
- This loudspeaker is supplied with a 2 year warranty against defective materials and workmanship.

DNH reserves the right to alter specifications without notice

