



# DNH

HEAD OFFICE, NORWAY  
DNH AS

Phone..... + 47 35 98 56 00  
Fax..... + 47 35 98 56 10  
E-mail..... dnh@dnh.no  
Web-Site..... www.dnh.no

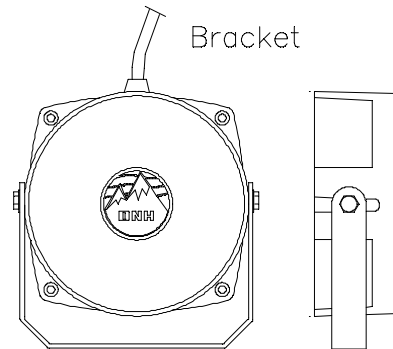
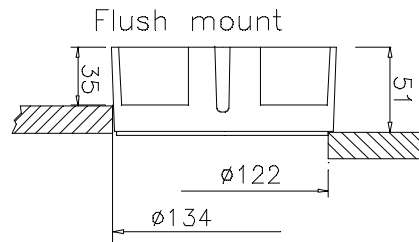
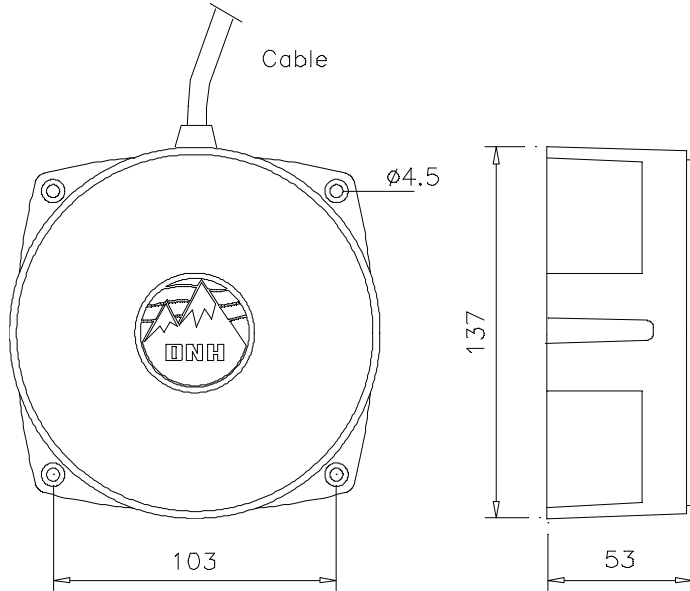
ENGLAND  
DNH WW Ltd  
Phone..... + 44 1908 275 000  
Fax..... + 44 1908 275 100  
E-mail..... dnh@dnh.co.uk

GERMANY  
DNH GmbH  
Phone... + 49 040 6569 30-0  
Fax..... + 49 040 6569 30-30  
E-mail..... dnh@dnh.de

USA  
DNH Speakers Inc  
Phone..... + 1 484 494 5790  
Fax..... + 1 484 494 5793  
E-mail..... dnh@dnhspeakers.com

## CR-6(T)

ISO 9001 CERTIFIED



100 V transformer Primary tapings	
Red : Yellow	6 W
Red : Green	3 W
Red : Blue	1,5 W

8Ω version	
Red : Blue	

Sound pressure levels at 1W/1m  
SPL vs Freq



Specifications

Material / Color	PA / RAL 9010
Mounting	4 screws or bracket
Termination	Cable, 1 m
Weight w/transformer	2,2 kg
IP-rating	67
Max. / min. amb. temp	90°C / -20°C
Rated / max. power	6 W / 30 W
SPL 1W/1m	85 dB
SPL rated power	93 dB
Effective freq. range	280 – 20000 Hz
Dispersion (-6dB) 1kHz / 4kHz	180° / 130°
Directivity factor, Q	
Options	Impedances, colors, labels

### Installation, Operation and Maintenance Procedures

- Use 4 screws for mounting on wall, alternative flush mounting.
- When mounting with bracket, use the slit on each side to connect the bracket to the loudspeaker.
- CR-6 (T) is designed for clean room applications.
- Do not install this loudspeaker under water when operated with 100V line.
- For optimum performance, always use the correct voltage / power and operate within the frequency limits as stated.
- Do not open loudspeaker when energized.
- This loudspeaker is supplied with a 2 year warranty against defective workmanship.

DNH reserves the right to alter specifications without notice

