



# DNH

HEAD OFFICE, NORWAY  
DNH AS

Phone..... + 47 35 98 56 00  
Fax..... + 47 35 98 56 10  
E-mail..... dnh@dnh.no  
Web-Site..... www.dnh.no

ENGLAND  
DNH WW Ltd  
Phone..... + 44 1908 275 000  
Fax..... + 44 1908 275 100  
E-mail..... dnh@dnh.co.uk

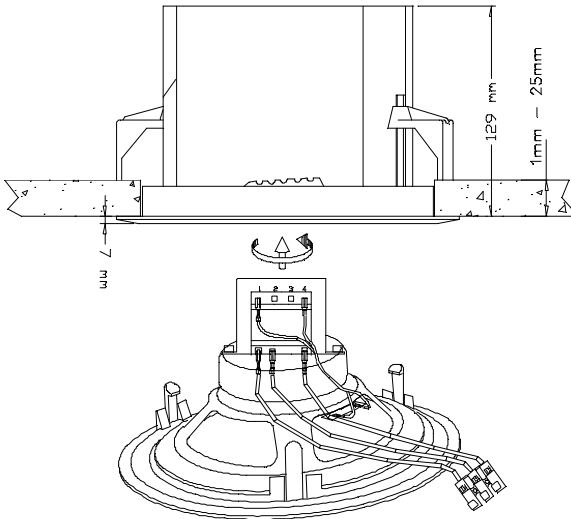
GERMANY  
DNH GmbH  
Phone... + 49 040 6569 30-0  
Fax..... + 49 040 6569 30-30  
E-mail..... dnh@dnh.de

USA  
DNH Speakers Inc  
Phone..... + 1 484 494 5790  
Fax..... + 1 484 494 5793  
E-mail..... dnh@dnhspeakers.com

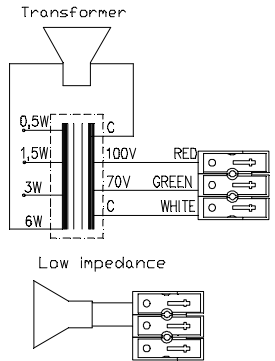
ISO 9001 CERTIFIED

## B-650(T)

Rec. ceiling hole:  $\varnothing$  182mm - 187 mm



### CIRCUIT DIAGRAM



70/100 Volt combined transformer	
Primary connections	
White : Green	70 V
White : Red	100 V
Secondary nominal tapings	
C : 6W	6,0 W
C : 3W	3,0 W
C : 1,5W	1,5 W
C : 0,5W	0,5 W

### Sound pressure levels at 1W/1m w/P-6/15B

#### SPL vs Freq



### Specifications

Material / Color	ABS grille, Polystyrene box / White
Mounting	3 screws
Termination	Spring clamps
Weight w/ transformer	1,1 kg
IP-rating	42
Max. / min. amb. temp	90°C / -20°C
Rated / max. power	6 W / 15 W
SPL 1W/1m	90 dB
SPL rated power	97 dB
Effective freq. range	120 - 18000 Hz
Dispersion (-6dB) 1kHz / 4kHz	130° / 50°
Directivity factor, Q	
Options	Impedances, colors, labels

### Installation, Operation and Maintenance Procedures

- Install box by turning 3 screws clockwise and the 3 hooks will keep loudspeaker in position.
- Lead cable in to the box, connect to terminal (70V or 100V) and select required tapping in to the transformer.
- Screw loudspeaker grill clockwise into fixed position
- For optimum performance, always use the correct voltage / power and operate within the frequency limits as stated.
- Do not open loudspeaker when energized.
- This loudspeaker is supplied with a 2 year warranty against defective workmanship.

DNH reserves the right to alter specifications without notice

