



# DNH

HEAD OFFICE, NORWAY  
DNH AS

Phone..... + 47 35 98 56 00  
Fax..... + 47 35 98 56 10  
E-mail..... dnh@dnh.no  
Web-site..... www.dnh.no

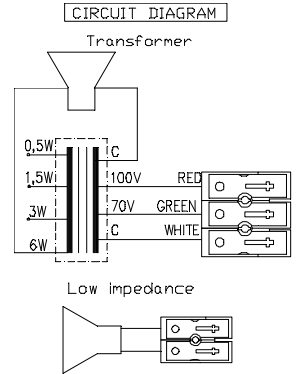
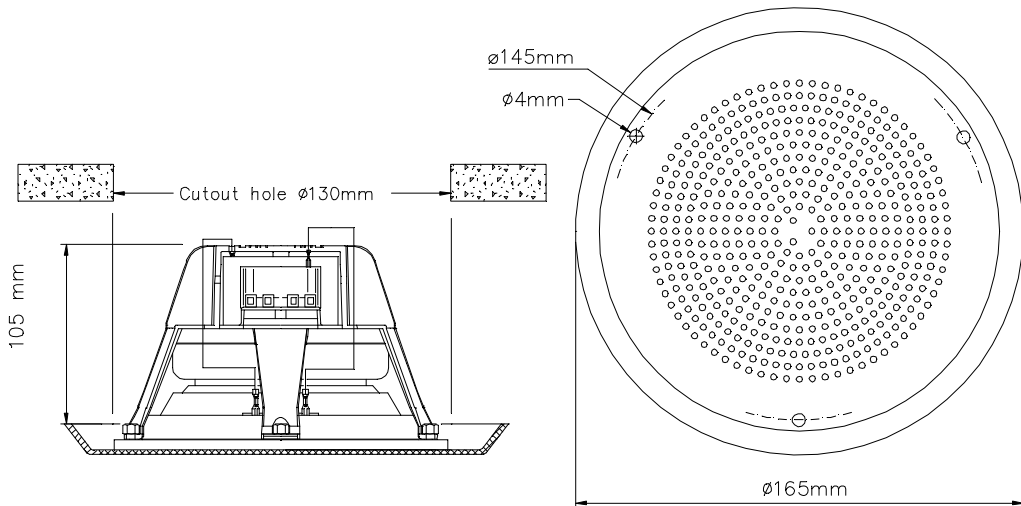
ENGLAND  
DNH WW Ltd  
Phone..... + 44 1908 275 000  
Fax..... + 44 1908 275 100  
E-mail..... dnh@dnh.co.uk

GERMANY  
DNH GmbH  
Phone... + 49 040 6569 30-0  
Fax..... + 49 040 6569 30-30  
E-mail..... dnh@dnh.de

USA  
DNH Speakers Inc  
Phone..... + 1 484 494 5790  
Fax..... + 1 484 494 5793  
E-mail..... dnh@dnhspeakers.com

ISO 9001 CERTIFIED

## B-560(T)



| 70/100 Volt combined transformer |       |
|----------------------------------|-------|
| Primary connections              |       |
| White : Green                    | 70 V  |
| White : Red                      | 100 V |
| Secondary nominal tapings        |       |
| C : 6W                           | 6,0 W |
| C : 3W                           | 3,0 W |
| C : 1,5W                         | 1,5 W |
| C : 0,5W                         | 0,5 W |

Sound pressure levels at 1W/1m w/P-5/15 T  
SPL vs Freq



### Specifications

|                               |                            |
|-------------------------------|----------------------------|
| Material / Color              | PA V0/Aluminum/RAL9010     |
| Mounting                      | 3 screws                   |
| Termination                   | Spring clamps              |
| Weight w/transformer          | 0,63 kg                    |
| IP-rating                     |                            |
| Max. / min. amb. temp         | 90°C / -20°C               |
| Rated / max. power            | 6 W / 15 W                 |
| SPL 1W/1m                     | 90 dB                      |
| SPL rated power               | 97 dB                      |
| Effective freq. range         | 130 – 20000 Hz             |
| Dispersion (-6dB) 1kHz / 4kHz | 170° / 60°                 |
| Directivity factor, Q         |                            |
| Options                       | Impedances, colors, labels |

### Installation, Operation and Maintenance Procedures

- Connect to terminal (70V or 100V) and select required tapping into the transformer.
- Fit complete loudspeaker into ceiling by 3 screws.
- For optimum performance, always use the correct voltage / power and operate within the frequency limits as stated.
- Do not open loudspeaker when energized.
- This loudspeaker is supplied with a 2 year warranty against defective workmanship.

DNH reserves the right to alter specifications without notice

